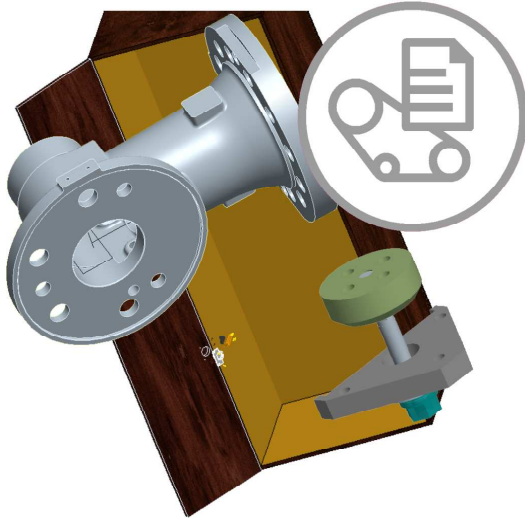


# SmartAssembly 5.0



**Design standardization**

**Integrated quality check**

**Documentation of design knowledge**

**Get rid of repetitive jobs to concentrate on more challenging tasks**

**Why not using Pro/TOOLKIT for all the tasks**

## **Design standardization**

- Your designers find 1000 solutions for the same task?
- Your company design standards have several 100 pages and nobody really knows them all?
- Your company has several subsidiaries and all designers have their very own idea about "good solutions"?

## **Integrated quality check**

- You have problems with inconsistent designs?
- You spend hours to fix issues in ModelCHECK when time becomes critical?

## **Why not using Pro/TOOLKIT for all these tasks**

- How many years of programming experience do your designers actually have?
- How deep do your programmers understand the design tasks?
- How many jack of all trades do you have, who can do both jobs?
- Can you create an application with component configuration, assembling, UDF inserting and drawing detailing in less than one hour with around 100 lines of code?

## **Documentation of design knowledge**

- It takes ages to get your new designer up to speed?
- Old stagers knows everything, but do not share their knowledge?

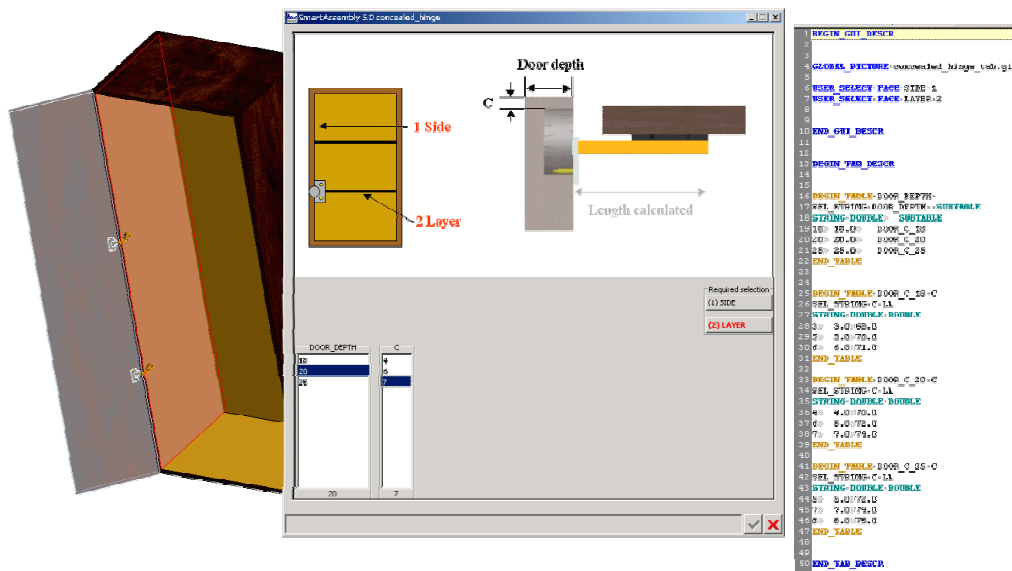
## **Get rid of repetitive jobs to concentrate on the more challenging tasks**

- Your designers waste most of their time to fulfill tedious tasks?
- Drawing detailing is the most time consuming job?
- There is never enough time left for the real design tasks?

**These problems bother you and you want to learn how SmartAssembly can help?**



**Please turn the page**



**SmartAssembly** is a process capturing tool , based on a script programming language and Pro/ENGINEER models and UDFs.

The script commands are developed by request from different industrial fields.

The programs are usually written by experienced designers or CAD administrators.

### Key Features

- Build in graphical user interface.
- Easy to create configuration tables for different dimensional values.
- Embed semantic information in Pro/ENGINEER models.
- Create, modify, delete, analyze models, drawings and UDFs
- Search and measure any kind of information.
- Access to Microsoft Winword and Excel, to ODBC databases, file operations, external programs etc.

### How it Works

- Define programs in a script language to operate on Pro/ENGINEER models to facilitate the design workflow.
- Interact with Microsoft Word and Excel documents, retrieve information from databases and text files and execute external applications.
- Define project templates and re-use finished design work.
- Use SmartAssembly GUI to guide the designers.

### Key Benefits

- Standardization of configuration and design rules.
- Radical productivity improvement.
- Guide new users to become productive in short time.
- Relieve advanced users from annoying repetitive tasks and allow them to focus on the design process.
- Limit the number of different solutions for standard problems.
- Capture design intent.

**Supported Platforms:** Windows XP and Vista for 32 and 64 bits.

**Supported Pro/ENGINEER Versions:** Pro/ENGINEER Wildfire 2.0, 3.0 and 4.0.

**Compatible with:** Intralink 3.4, 8.0, 9.0 and Windchill PDMLink 8.0 and 9.0.