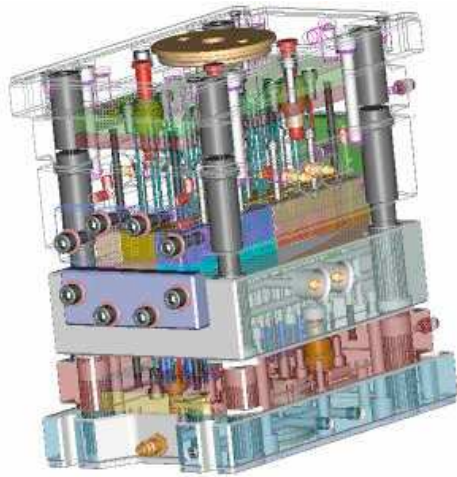


# B&W Expert Moldbase Extension 5.0



**2D GUI for defining plates and standard moldbase components**

**Flexible BOM parameter handling and print functions**

**Individual handling of all additional components using an unique GUI**

**Moldbase Opening Simulation**

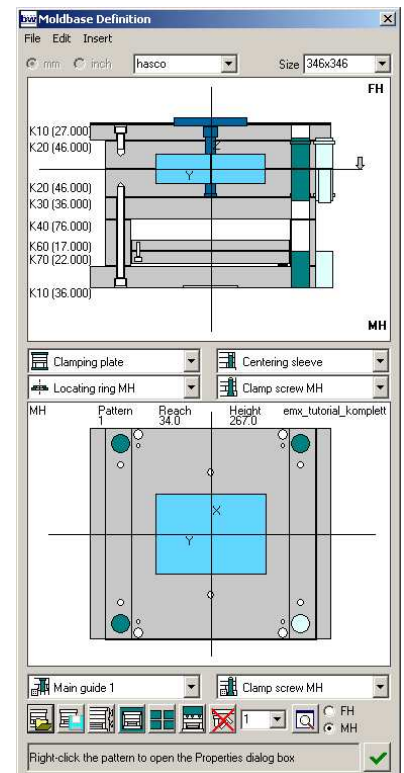
**Model Outline check**

**B&W Expert Moldbase Extension [EMX]** (former B&W Mold Application) is the preferred solution for design of injection molds with Pro/ENGINEER. It supports easy configuration of the moldbase in a 2D-interface, library with intelligent library components of more than 20 suppliers, extensive BOM and drawing functionality.

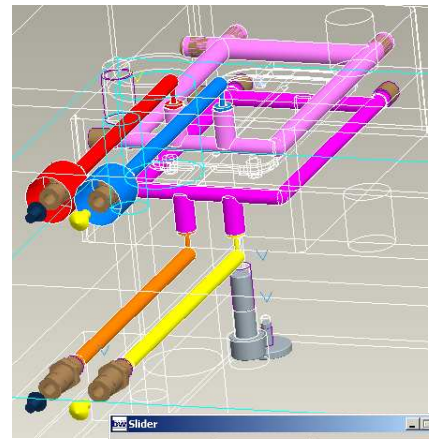
**B&W Expert Moldbase Extension** is available as Standard and Advanced Version.

**B&W Expert Moldbase Extension Standard** offers the following functions:

- Moldbase assembly setup as Pro/ENGINEER Manufacturing or Assembly model
- Predefined drawings for the assembly and all plates
- Support of subassembly structure for perfect organization of the modeltree
- 2D styled dialog box "Moldbase Definition" for the setup of plates, guide components and standard screws
- Efficient definition of screw- and dowelpin connections
- Waterline design based on skeleton curves for cuts and components
- Easy placement of trimmed and rotfixed ejector pins with cutouts using a companies dimension standards
- Place support pillars by mousepick dynamically
- Handling of customized Pro/ENGINEER models in the EMX Library

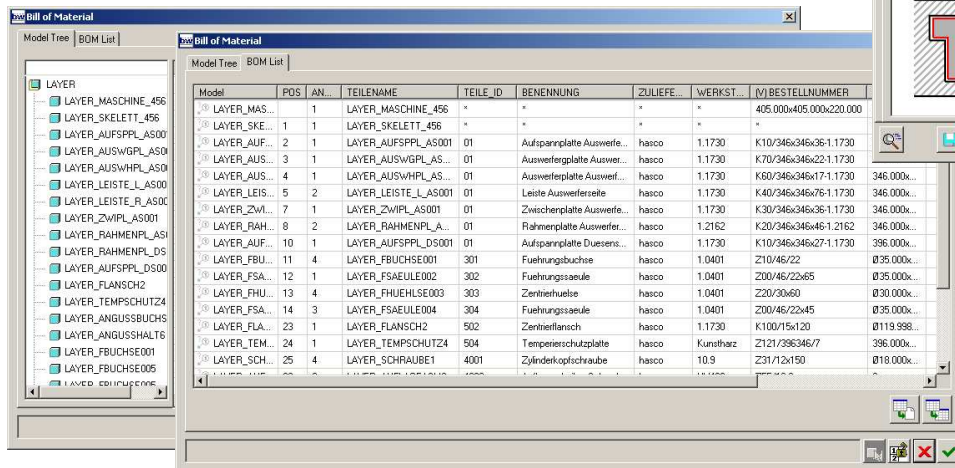
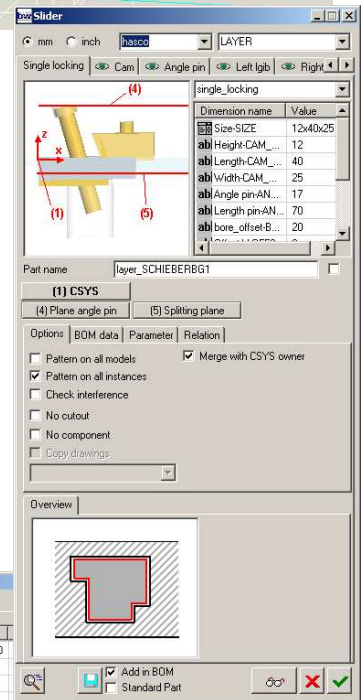


- BOM setup and manipulation (reordering of components, export the content to excel and ascii)
- Tools for Model Outline measurement and waterline check
- Visibiliy handling with Simplified Representation- and Layer-Management
- The EMX Option GUI allow customization of all organisation, geometrie and technology properties



**B&W Expert Moldbase Extension Advanced** offers in addition the following functions:

- Definition of entire slider sets using information (offsets) from the existing assembly geometrie
- Lifter and Latchlock design using standard parts from various suppliers
- Individual combination of standard components in library assemblies
- Moldbase Opening Simulation with optional interference check
- SmartHolechart Integration



**Supported Platforms:** Windows NT, 2000, XP, XP64, Vista

**Supported Pro/ENGINEER Versions:** Pro/ENGINEER Wildfire 2, Wildfire 3 and Wildfire

**License types:**

**Extension:** License is locked to a Pro/ENGINEER session. Shut down Pro/ENGINEER to release the license

**Floating Option:** License can be allocated and released any time during a Pro/ENGINEER session